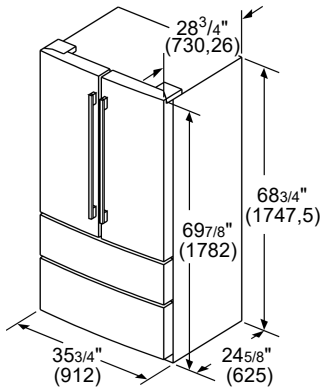
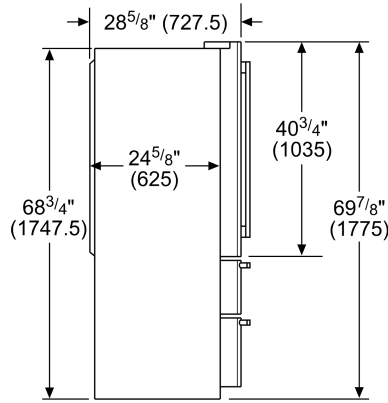


# Counter-Depth French Door Bottom-Freezer Refrigerator ZFDM2185RS

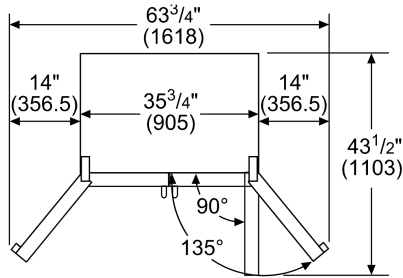


measurements in inches (mm)



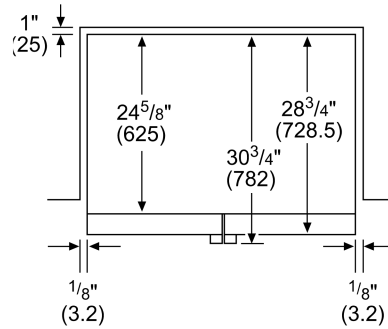
measurements in inches (mm)

## Overhead Views



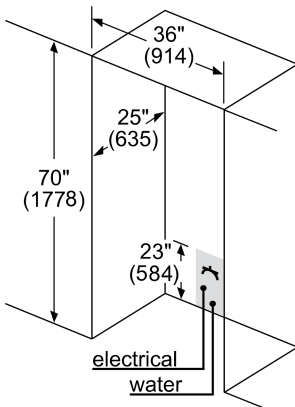
Drawers can be pulled out with door open 90°. Drawers can be taken out with door completely opened.

measurements in inches (mm)



measurements in inches (mm)

## 36" Installation



Leave 1/2" (12.7 mm) gap at the top and 1" (25.4 mm) behind the refrigerator for proper ventilation. For installation next to a wall, leave 3 3/4" (95.2 mm) minimum on wall side for opening the door. It is recommended that you do not install the refrigerator near a heat source such as an oven or a range. Maximum receptacle and water line height 23" (584)

measurements in inches (mm)