



USER'S OPERATION MANUAL

Before operating this unit, please read this manual thoroughly, and retain for future reference.

CFDN2216AS

English

Contents

Brief Introduction	01
Important safety instructions	03
Installing your new appliance	07
Description of the appliance	20
Display controls	21
Using your appliance	24
Cleaning and care	29
Helpful hints and tips	31
Troubleshooting	32
Disposal of the appliance	36

Brief introduction

Thank you for choosing our appliance. We are sure you will find your new refrigerator a pleasure to use. Before you use the appliance, we recommend that you carefully read through these instructions, which provide details about installing and using the product.



- Please ensure that everyone using this appliance is familiar with its operation and safety features. It is important that you install the appliance correctly and pay careful attention to the safety instructions.
- We recommend that you keep this user's manual with the appliance for future reference.
- This appliance is intended to be used in households and similar applications such as:
 1. Kitchen areas in shops, offices and other working environments;
 2. Hotels, motels and other residential environments;
 3. Bed and breakfast environments;
 4. Catering and similar **non-commercial** applications.
- This appliance is not intended for use by persons (including children) with reduced physical, sensory or mental capabilities, or lack of experience and knowledge, unless they have supervision or been given instruction concerning use of the appliance. Children should be supervised to ensure that they do not play with the appliance.
- Do not store explosive substances such as aerosol cans with a flammable propellant in this appliance.

Brief introduction



Warning

- Connect to potable water supply only.
- Do not use mechanical devices or other means to accelerate the defrosting process, other than those recommended by the manufacturer.
- Do not damage the refrigerant circuit.
- Do not use electrical appliances inside the food storage compartments of the appliance, unless they are of the type recommended by the manufacturer.
- When disposing of the appliance do so only at an authorized waste disposal center. Do not expose to flame.
- If the power cord is damaged, it must be replaced by the manufacturer, its service agent or similarly qualified persons in order to avoid a hazard.
- Keep ventilation openings, in the appliance enclosure or in the built-in structure, clear of obstruction.

Important safety instructions



General safety and daily use

It is important to use your appliance safely. We recommend that you follow the guidelines below.

Store any food in accordance with the storage instructions from the manufacturer.

- Don't try to repair the appliance yourself. It is dangerous to alter the specifications or modify this product in any way. Any damage to the power cord may cause a short circuit, fire or electric shock.
- Don't place too much food directly against the air outlet on the rear wall of both the refrigerator and freezer compartment, as it may affect important air circulation.
- Don't place hot items near the plastic components of this appliance.
- Frozen food must not be refrozen once it has been thawed out.
- Don't store bottled or canned drinks (especially carbonated drinks) in the freezer compartment. Bottles and cans may explode.
- Use caution consuming popsicles or ice cubes straight from the freezer as this can cause freezer burn to the mouth and lips.



Safety for children and other persons

- Keep all packaging away from children to avoid risk of suffocation.
- Protect children from being scalded by touching the compressor at the rear bottom of appliance
- Don't place items on top of the appliance as this could cause injury should they fall off.
- Never allow children to play with the appliance by hanging or standing over or on the doors, racks, shelves and drawers etc.

Important safety instructions



Electrical safety

To avoid the risks that are always present when using an electric appliance, we recommend that you pay attention to the instructions about electricity below.

- Unpack and check through the appliance. Should any damage be evident, don't plug in the appliance but contact the shop immediately from which you purchased it. Keep all packing materials in this case.
- We recommend that you wait for 4 hours before connecting the appliance to allow the refrigerant to flow back into the compressor.
- The appliance must be applied with single phase alternating current of 110~115V/60Hz. If the voltage fluctuates exceeding the upper limit, A.C. automatic voltage regulator of more than 350W should be applied to the refrigerator for safety use.
- The power plug must be accessible when the appliance is installed.
- This appliance must be grounded.
- This appliance is fitted with a plug, in accordance with local standard. The plug should be suitable for use in all houses fitted with sockets in accordance with current specifications.
- If the fitted plug is not suitable for your socket outlets, it should be cut off and carefully disposed of. To avoid a possible shock hazard, do not insert the discarded plug into a socket. If in doubt contact a qualified, registered electrician.
- Do not use extension cords or multiple sockets which could cause overloading of wiring circuits and could cause a fire. Always plug your appliance into its own individual electrical socket which has a voltage rating that matched the rating plate.

Important safety instructions



Electrical safety

- Make sure that the plug is not squashed or damaged. Otherwise, it may cause short circuit, electric shock or overheat and even cause a fire. Do not insert the power plug if the socket is loose, there is a risk of electric shock or fire.
- Do not insert the power plug if the socket is loose, there is a risk of electric shock or fire.
- Switch off the appliance and disconnect it from the main power before you clean or move it.
- Never unplug the appliance by pulling on the electrical cord. Always grip the plug firmly and pull straight out from the socket to prevent damaging the power cord.
- Do not operate the appliance without the cover of interior lighting.
- Any electrical component must be replaced or repaired by a qualified electrician or authorized service engineer. Only genuine replacement parts should be used.
- Do not use electrical appliances such as ice cream makers inside the food storage compartments of the appliance unless they are approved by the manufacturer.
- To avoid eye injury, do not look directly into the LED light located in the refrigerator compartment. If it is not functioning correctly, consult a qualified, registered electrician or replace it in accordance with the "Cleaning and Care" chapter.

Important safety instructions



Refrigerant

The refrigerant isobutene (R600a) is contained within the refrigerant circuit of the appliance. During transportation and installation of the appliance, ensure that none of the components of the refrigerant circuit become damaged.

The refrigerant (R600a) is flammable.



Caution: Risk of Fire

Don't store products which contain flammable propellants (e.g. spray cans) or explosive substances in the appliances.

Should the refrigerant circuit be damaged:

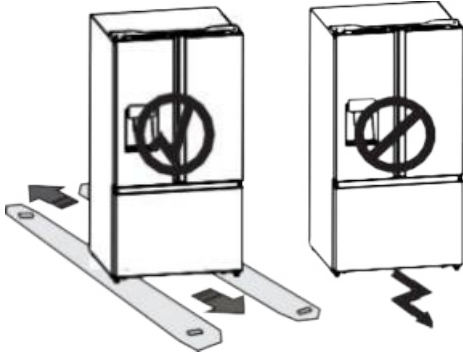
1. Avoid open flames (candles, lamps etc.) and other sources of ignition.
2. Thoroughly ventilate the room in which the appliance is situated.

Installing your new appliance

Before using the appliance for the first time, you should be aware of the following tips.

Warning

- For proper installation, this refrigerator must be placed on a level surface of hard material that is the same height as the rest of the flooring. This surface should be strong enough to support a fully loaded refrigerator.
- The rollers, which are not casters, should be only used for forward or backward movement. Moving the refrigerator sideways may damage your floor and the rollers.

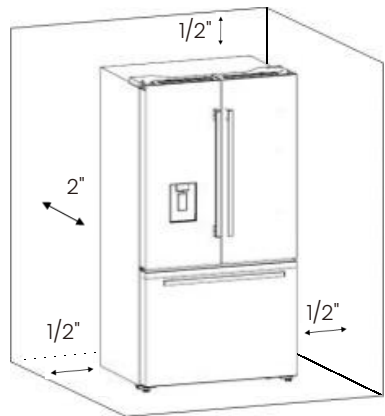


Ventilation of appliance

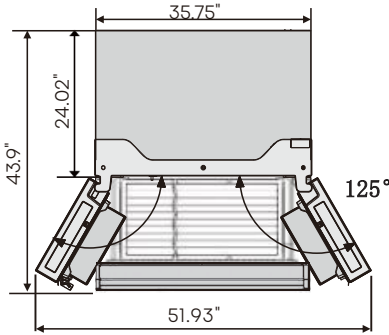
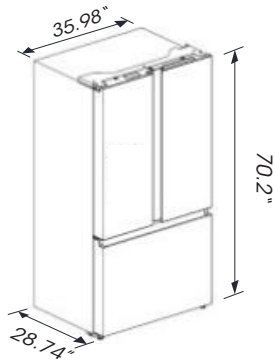
In order to improve efficiency of the cooling system and save energy, it is necessary to maintain good ventilation around the appliance for the dissipation of heat. For this reason, sufficient clear space should be available around the refrigerator.

Suggest:

It is advisable for there to be at least 2"(50mm) of clearance from the back of the fridge to the wall, at least 1/2"(12mm) of clearance from its top, at least 1/2"(12mm) from its side to the wall and a clear space in front to allow the doors to open 125°. As shown in the following diagrams.



Installing your new appliance



Before using the appliance for the first time, you should be aware of the following tips.



Note

This appliance performs well in the climate class from SN to ST. It may not work properly if being left at a temperature above or below the indicated range for a long period.

Climate class	Ambient temperature
SN	+50°F to +90°F
N	+61°F to +90°F
ST	+61°F to +100°F
T	+61°F to +109°F

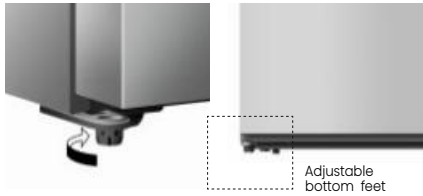
Stand your appliance in a dry place to avoid high moisture damage. Keep the appliance out of direct sunlight, rain or frost. Stand the appliance away from heat sources such as stoves, fires or heaters.

Leveling of appliance

- For sufficient leveling and air circulating in the lower rear section of the appliance, the bottom feet may need to be adjusted. You can adjust them manually by hand or by using a suitable tool.
- To allow the doors to self-close, tilt the top backwards by 0.1" - 0.2". (2.5-5mm)



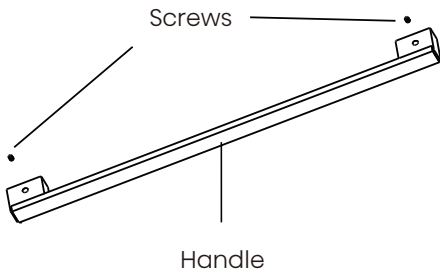
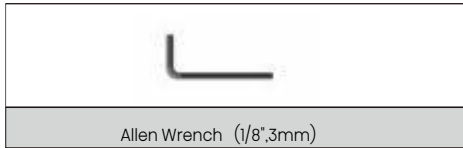
Installing your new appliance



Installing the handles

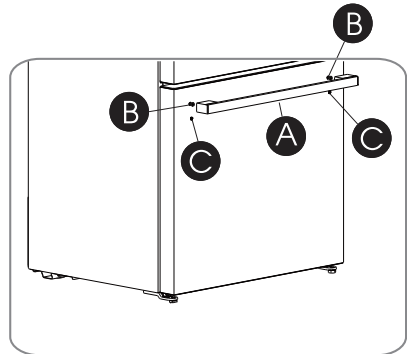
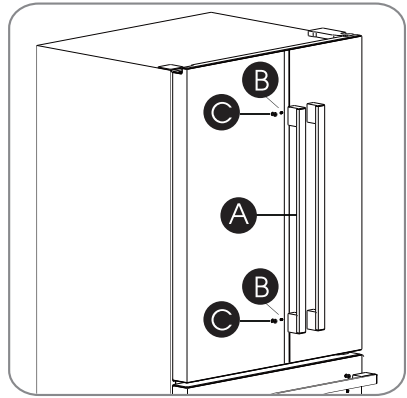
Before you use the appliance, you have to install the handles. Handles and set screws are provided in refrigerator. Please follow procedures below to install and reverse the handle.

Tools you will need(Provided in bag):



- Take out the screw hole covers on the doors, install the handle supports(C).

Place the handle(A) on the door by fitting the handle over the handle supports(C), then fasten the screws(B) with 3mm Allen wrench.





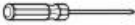
Door Removal

In case your home access door is too narrow for the refrigerator to pass through, remove the refrigerator doors and drawers. If you do not need to remove the appliance doors, proceed to 'Installing Water Lines' on page 8.

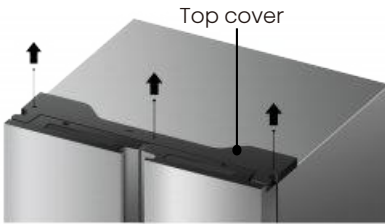
If you need to remove the doors, continue below.

Installing your new appliance

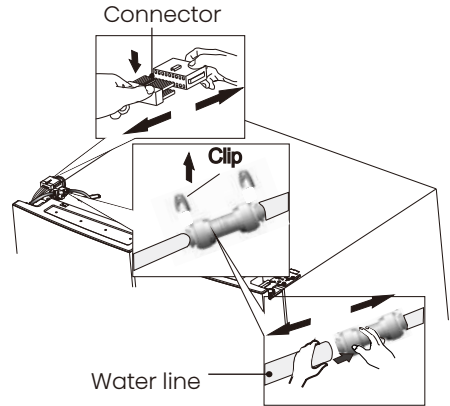
Tools you will need(Not provided):

	
Allen Wrench (5/32",4mm)	Wrench (5/16",8mm)
	
Phillips Screwdriver	

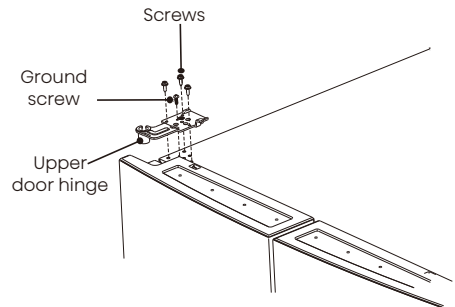
1. With the door closed, remove the 3 screws holding the top cover with Philips (+) screwdriver, and then remove the top cover with the entire harness attached.



2. Separate the two connectors on the left side door. To remove the wire connector, press the top of the connector and separate it from the other one. To remove the water coupler from the hinge, twist and pull the clips from the coupler. Remove the water line while pressing the movable part of the water line coupler.

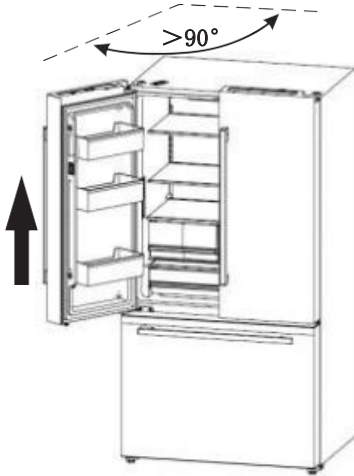


3. Remove the screws fixed on the hinges with a wrench (5/16",8mm) and 1 ground screw attached to the hinge with Philips (+) screwdriver. Remove the upper left and right door hinges .

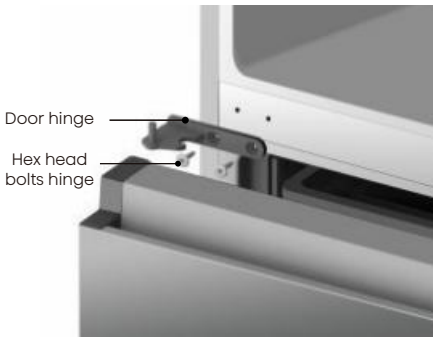


Installing your new appliance

4. Use both hands to open the door more than 90°. Lift it up and take it off.

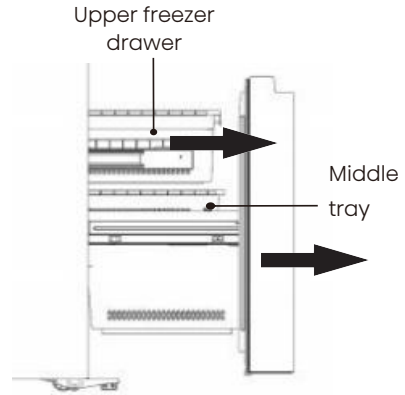


5. Remove the 4 hex head bolts hinges with an Allen wrench (5/32", 4mm). Remove the lower left and right door hinges.

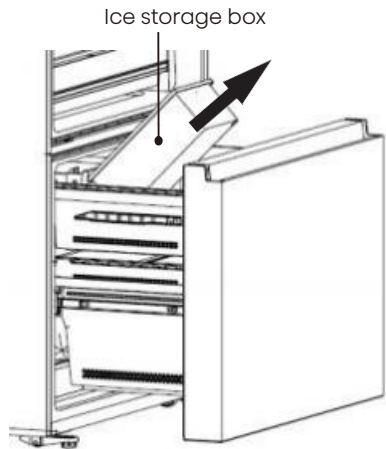


Disassembling the freezer door

1. Pull out the freezer door, the upper and middle tray to the final position.

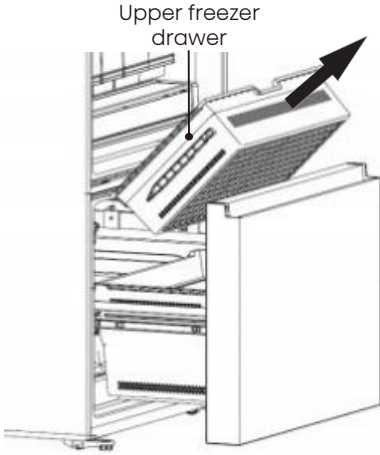


2. Take out the ice storage box (if equipped).

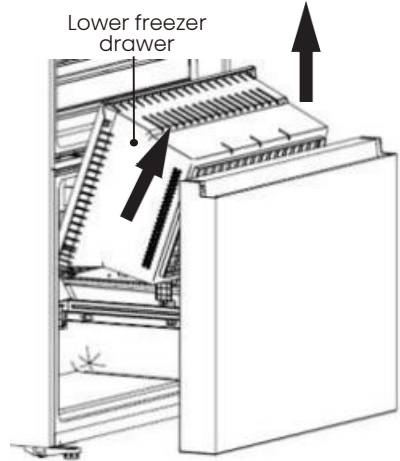


Installing your new appliance

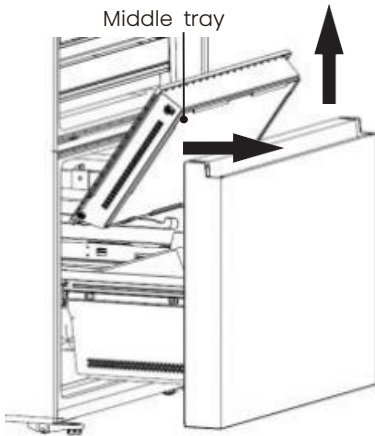
3. Take out the upper freezer drawer by lifting it up from the rail system.



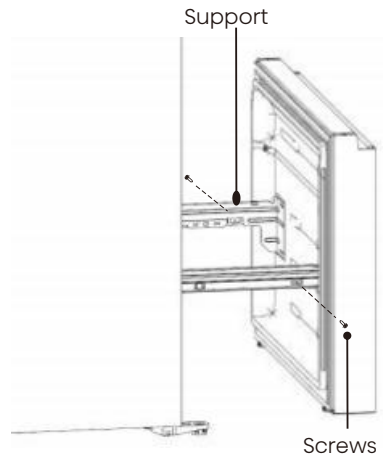
5. Remove the lower freezer drawer by lifting it up.



4. Pull the middle tray to the end and remove it by lifting up.

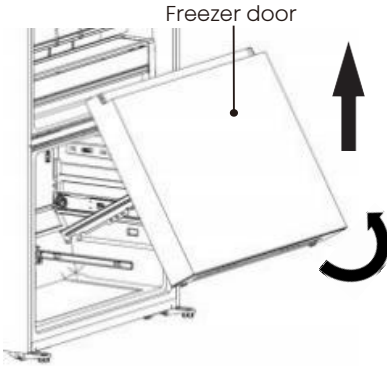


6. Remove 2 screws holding the support.



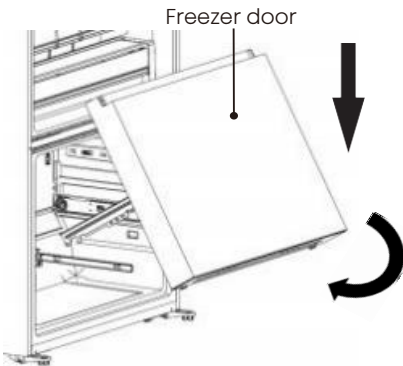
Installing your new appliance

7. Remove the freezer door by lifting it up

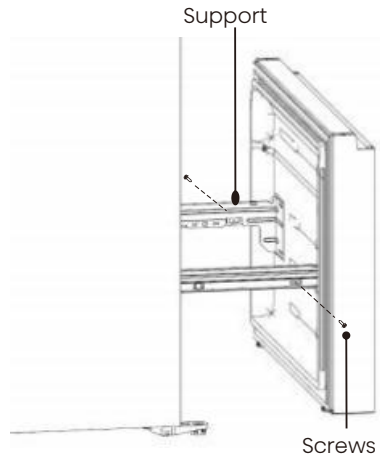


To reattach the drawer after you moved the appliance to its final location, assemble the parts in reverse order.

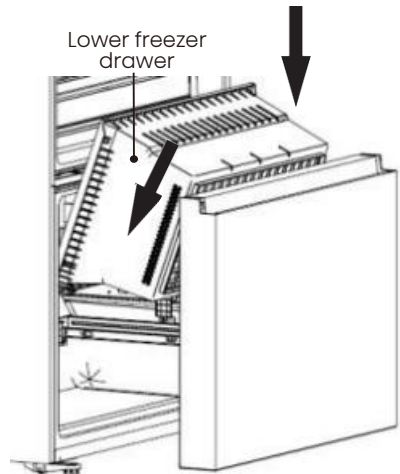
1. Assemble the freezer door by pull it back.



2. Install the 4 screws fixing the drawer supports.

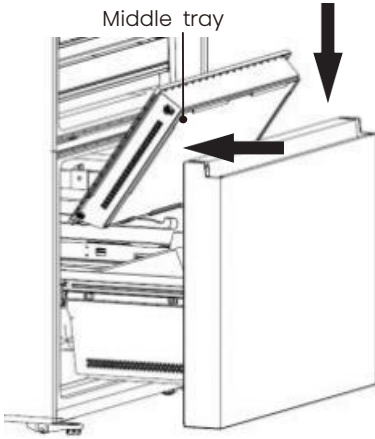


3. Put back the lower freezer drawers.

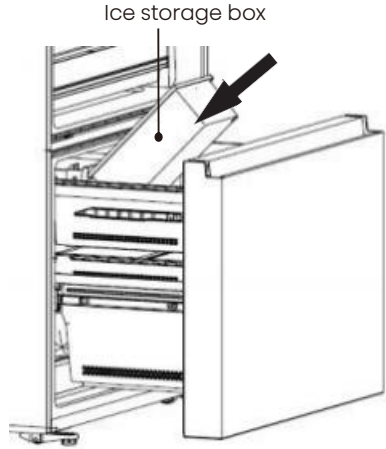


Installing your new appliance

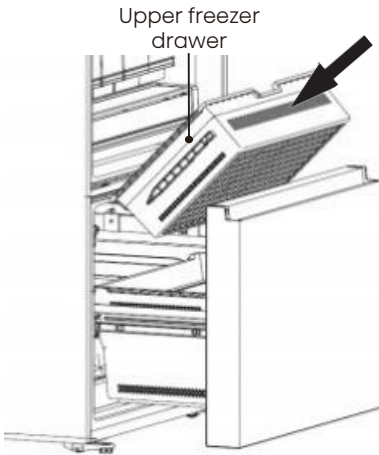
4. Put the middle tray on the support.



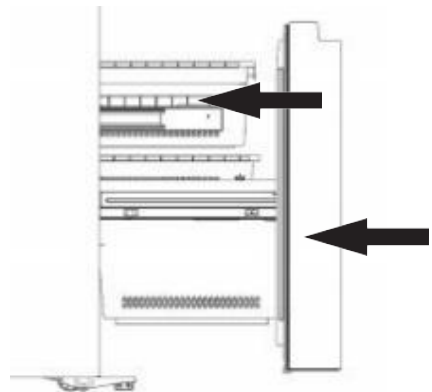
6. Put back the ice storage box (if equipped).



5. Put back the upper freezer drawer by lifting it up from the rail system.

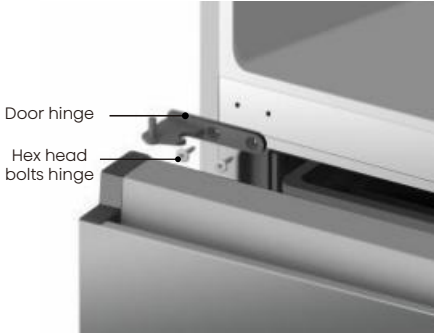


7 Pull back the freezer door.

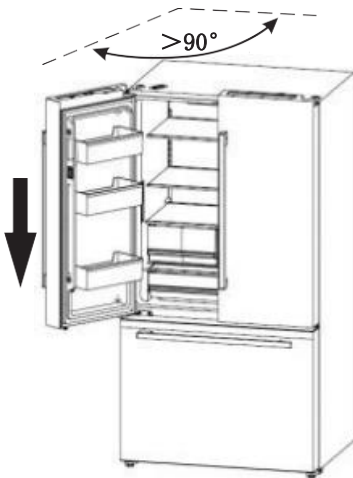


Installing your new appliance

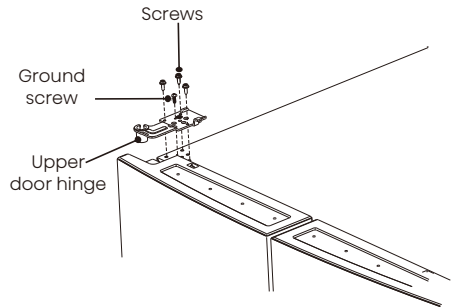
1. Install and tighten the middle hinge.



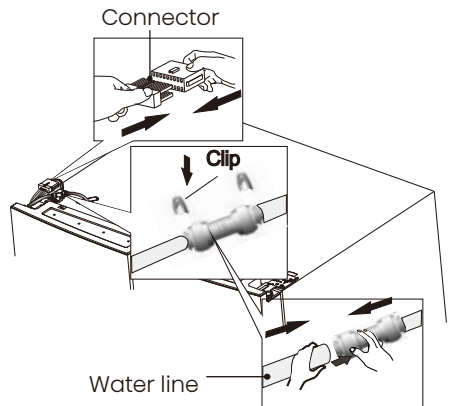
2. Align the hole on the bottom, hold the door with one hand, and assemble the door with the other hand.



3. Install the upper hinge screws with a wrench. Use a Phillips screwdriver to tighten the screws and upper hinge.

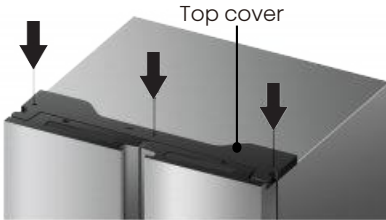


4. Install the connectors and water line.



Installing your new appliance

5. Install the top cover. Each wire should be correctly placed in each buckle position



Installing the water lines

A water dispenser with a filter is one of the helpful features on your new appliance.

To help promote better health, the water filter removes unwanted particles from your water. However, it does not sterilize or destroy microorganisms. You may need to purchase a water purifying system to do that.

In order for the ice maker to operate properly, a water line is required.

The inlet water pressure must be between 207kPa and 700kPa.

Warning

- The water connection must be made by a qualified plumber. Operation outside the water pressure range may cause malfunction, severe and damaging water leaks.
- Under normal conditions, a 200cc (5.75 oz.) cup can be filled in about 10 seconds.
- If the refrigerator is installed in an area with low water pressure (below 30psi), you can install a booster pump to compensate for the low pressure.

What do you need to do before you start.

1. Power drill and 1/4" drill bit.
2. 1/2" or adjustable wrench.
3. Flat blade and Philips head screwdrivers.



Saddle-type
Shut off valve
(1/4" outlet)



one 1/4"
compression



1/4" extension
tubing



1 ferrule
(sleeve)

Installing your new appliance

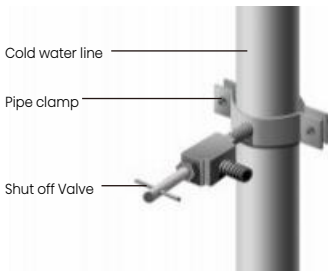
4. You need to purchase several items to complete this connection. You may find these items sold as a kit at local hardware store

Connecting to the water supply line

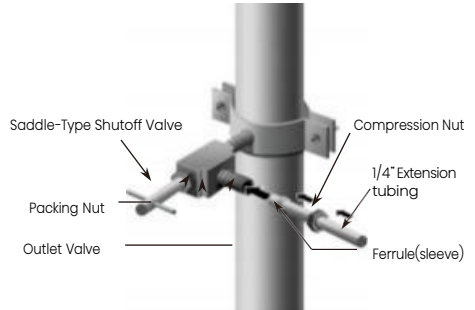
1. First, shut off the main water supply.



2. Using a power drill and a 1/4" drill bit drill into the cold-water line and connect the saddle-type shutoff valve.



3. Connect 1/4" extension tubing to shutoff valve outlet.



4. Flush the tubing. Turn the main water supply on and flush out the tubing until the water is clear. Then, shut the water off at the water valve after about a quart of water has flushed through the tubing.



Installing your new appliance

Note

Ensure that the water line does not get pinched or bent when installing.

This can result in improper water flow through the line and will affect the functionality of the fridge.

Note

After connected to the water supply line, please open the water valve to flush the filter for 5 minutes before use. The initial dark discoloration of water is normal.

When you connect the water line to the appliance and press the lever of the dispenser for the first time, it is normal that there will be a sound of exhaust coming out from the appliance.

5. Turn the water on and check for leakage.



CAUTION!

Check to see if leaks occur at the water line connections

Warning

1. The water line must be connected to the cold water pipe. If it is connected to the hot water pipe, it may cause the purifier to malfunction.
2. Avoid contamination of pipes during installation.
3. Connect to potable water supply only.

Installing your new appliance

Connect Water Line to Refrigerator

IMPORTANT: If you turn the refrigerator on before the water is connected, turn off the ice maker.

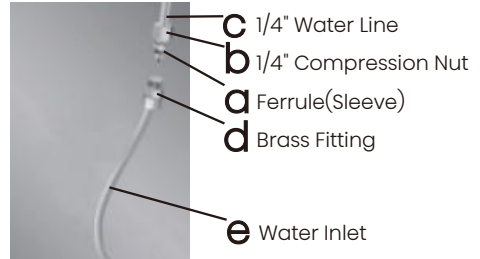
1. You may need to purchase below items to complete this connection. And you may find these items sold as a kit at a local hardware store.



- a** Ferrule (Sleeve) -1 pcs
- b** 1/4" Compression Nut - 1 pcs
- c** 1/4" Water Line - 1 pcs

2. Unplug refrigerator or disconnect power.
3. Close shut off valve.
4. Thread a 1/4" compression nut and ferrule (sleeve) onto the free end and of 1/4" water line.
5. Insert the free end and of the 1/4" water line into the brass fitting attached to the water inlet on the back of the refrigerator.

6. Slide the 1/4" compression nut over the ferrule (sleeve) and screw the 1/4" compression nut onto the brass fitting.



7. Confirm 1/4" water line is secure by gently pulling on it.
8. Turn on water supply and check for leaks, and correct any leaks.

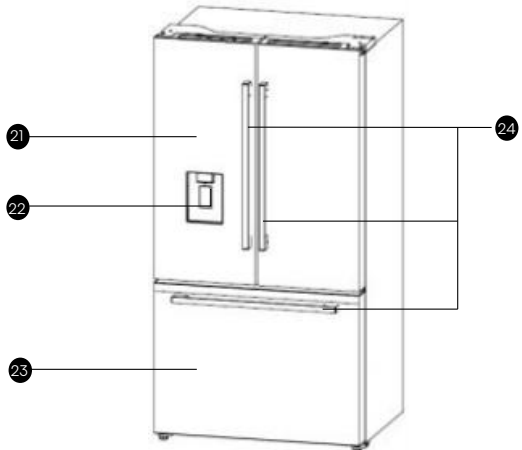
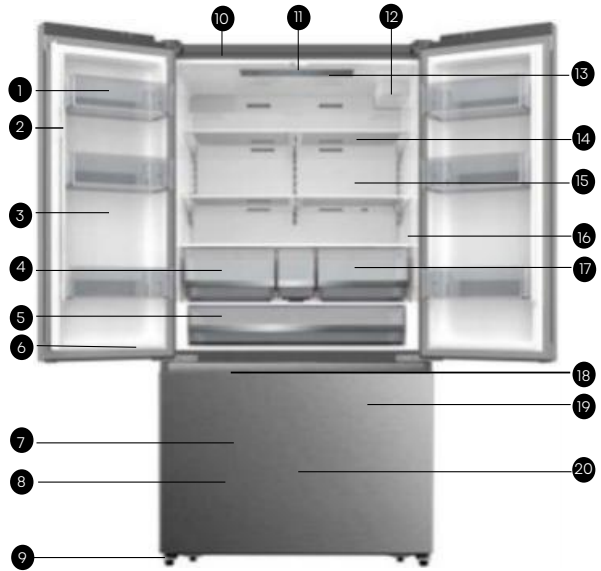


Note

The accessory bag contains middle hinge washers and an Allen wrench(1/8",3mm)

Description of the appliance

- ① Door bin
- ② Vertical baffle part
- ③ Water dispenser (behind)
- ④ Fruit and vegetables crisper
- ⑤ Multi-function drawer
- ⑥ Freezer LED light
- ⑦ Middle tray
- ⑧ Lower freezer drawer
- ⑨ Adjustable bottom feet
- ⑩ Top cover
- ⑪ Vertical baffle guide block
- ⑫ Water filter
- ⑬ Display board
- ⑭ Glass shelf
- ⑮ Wind channel
- ⑯ Refrigerator LED light (both sides)
- ⑰ Crisper cover
- ⑱ Ice maker
- ⑲ Upper freezer drawer
- ⑳ Lower diaphragm (inside)
- ㉑ Refrigerator door
- ㉒ Water dispenser
- ㉓ Freezer door
- ㉔ Handles



- Due to unceasing modification of our products, your refrigerator may be slightly different from this instruction manual, but its functions and using methods remain the same.
- To get the best energy efficiency of this product, please place all shelves, drawers and baskets on their original position as per the illustration above.

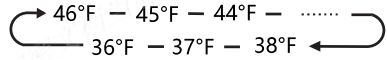
Display controls

Your product has one control panel which is installed on the fridge door. Use your appliance according to the following control guidelines.

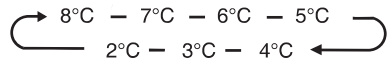


Setting Compartment Temperatures

When you set a temperature, you are setting an average temperature for the entire compartment. The actual compartment temperatures may vary from the temperatures displayed depending on the amount and placement of stored food, and the surrounding room temperature.



If you have set the temperature type to °C, the temperature setting cycle from 8°C to 2°C.



Release the "TEMP." button control when the desired temperature setting appears.

Recommended Temperature Settings


- Fridge Compartment: 39°F (4°C)
- Freezer Compartment: 0°F (-18°C)

TEMP.
°F/°C "°F /°C"
Hold 3 Sec

To toggle between Celsius and Fahrenheit on the display, press and hold the "TEMP." button for three seconds.

 **"Fridge temperature control"**
Fridge

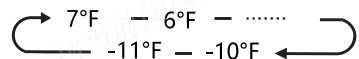
Press the "ZONE" button until the "Fridge" icon appears, then press the "TEMP." button repeatedly to cycle through the available temperature settings from 46°F to 36°F.

 **Note**

Each press of the button decrease the setting by one degree.

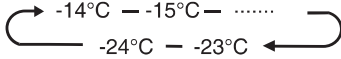
 **"Freezer temperature control"**
Freezer

Press the "ZONE" button until the "Freezer" icon appears, then press the "TEMP." button repeatedly to cycle through the available temperature settings from 7°F to -11°F.



Display controls

If you have set the temperature type to °C, the temperature setting cycle from -14°C to -24°C.



Release the "TEMP." button control when the desired temperature setting appears.



Note

Each press of the button decrease the setting by one degree.



Super
Cool

"Super Cool"

The Super Cool feature helps to keep food stored in the refrigerator at the set temperature during periods of high usage, large grocery loads, or temporarily warm room temperatures. The Super Cool feature lowers the temperature in the fridge compartment.

1. Press the "MODE" button to activate this function. The "Super Cool" icon will be illuminated and the fridge temperature indicator will display 36°F (2°C).

2. Super Cool will automatically turn off after 3 hours.

3. When Super Cool function is on you can turn it off by pressing the "MODE" button or setting fridge temperature. To manually turn off the Super Cool function, the fridge temperature setting will revert back to the previous setting.



Super
Freeze

"Super Freeze"

Super Freeze will quickly lower the temperature within the freezer so food will freeze faster than usual. This feature also helps to keep vitamins and nutrition of fresh food and keep for longer period.

1. Press the "MODE" button to activate this function. The "Super Freeze" icon will be illuminated and the temperature for the freezer is set to -11°F (-24°C).

2. Super Freeze will automatically turn off after 52 hours.

3. When Super Freeze function is on you can turn it off by pressing the "MODE" button or setting freezer temperature. To manually turn off the Super Freeze function, the freezer temperature setting will revert back to the previous setting.

Display controls



Note

When you selecting the Super Freeze function, ensure there are no bottled or canned drinks(especially carbonated drinks) in the freezer compartment. Bottles and cans may explode.



Eco


"Eco"

Press the "MODE" button to turn on the energy saving function, the "Eco" icon will be illuminated. When the Eco function is on, the temperature of fridge is automatically switched to 43°F (6°C) and the temperature of freezer is automatically switched to 1°F (-17°C). When Eco function is on, you can switch it off by pressing the "MODE" button or adjusting the fridge/freezer temperature, the refrigerator temperature setting will revert back to the previous setting.




"ICE"

The ice maker is located inside the freezer compartment, near the top of the compartment. When the ice maker makes ice, the ice is stored in freezer tray.

- Press the "ICE" button to turn the ice maker on or off. When the ice maker is turned on, the "" icon lights.
- To use ice, open the freezer compartment door, then pull open the freezer tray and get the ice.

POWER

Press and hold the "POWER" button for 3 seconds to turn the power function on or off. When the power function is on, the "" icon lights and the display panel will show "--".





Note

When the power function is on, the refrigerator is stopped cooling.




Water Filter

After the refrigerator has dispensed about 1000 gallons of water, the filter icon "" will blink, reminding you to replace the water filter.

The state of the water filter is calculated by the main control board and transmitted to the display panel. The first time the power is switched on and the water enters the filter, the filter state is calculated at 99%. When the water filter state drops to 15%, the icon "" is lit.

Display controls

When the filter state reaches 10%, the icon "  " will flash. The user needs to replace the filter and long press the ICE Button for 3 seconds to reset the water filter state. The filter state will then be re-calculated to 99%.

Demo mode

Demo mode is for store display, and it prevents the refrigerator from generating cool air. In this of Cooling off Mode, the refrigerator may seem like it is working but it will not make cool air. The display panel will show special segments as follow.



To switch off demo mode, press and hold "POWER" and "ICE" buttons at the same time for three seconds and the buzzer gave a long sound.

Door Open Alarm

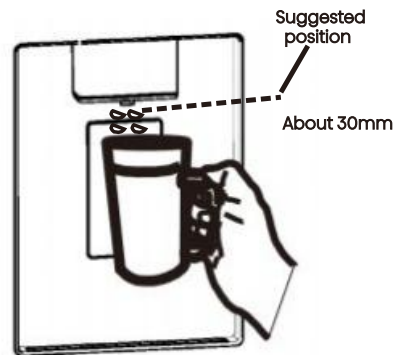
If a door is open for longer than 2 minutes, an alarm will sound to alert you and the control panel will display "dr". The alarm will sound 3 times every minute for 8 minutes. To turn off the alarm, close all doors completely.

Using your appliance

This section tells you how to use most of the useful features. We recommend that you read through them carefully before using the appliance.

Getting Cold Water

The water dispenser is located in the fridge door. To get water, push the water button. Then move your glass down the dispenser lever (A) in the suggested position and press it. After stopping water collection, wait for two seconds to prevent water dripping.



Using your appliance

Water clouding phenomenon

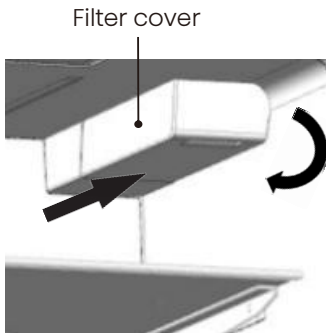
All water provided to the refrigerator flows through an alkaline water filter.

In the filtering process, the pressure of the water that has flowed out of the filter is increased, and the water becomes saturated with oxygen and nitrogen. When water flows out into the air, the pressure plummets and the oxygen and nitrogen get supersaturated, which results in gas bubbles. The water may temporarily look misty or cloudy due to these oxygen bubbles. After a few seconds, the water will look clear.

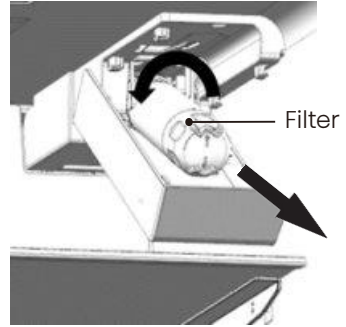
Changing the water filter

To drink the freshest and cleanest water from your refrigerator, change the filter on time. To change the water filter, follow these steps:

1. Shut off the water supply. Pull out the cover about 1.5 cm and open.



2. Turn the water filter about 1/4 turn, counter-clockwise. Then pull the water filter from the filter holder.

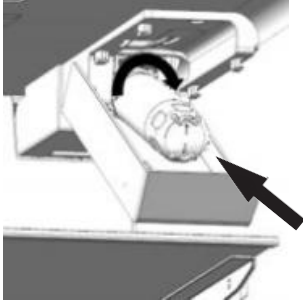


Note

- To change the water filter easily, shut off the water supply valve.
- Sometimes, it is hard to disassemble the water filter because impurities in the water cause it to stick. If you are having difficulties, grip the water filter firmly and pull it out.
- When you pull the water filter, a little water can leak from the opening. This is normal. To minimize the water leaks, keep the filter cartridge horizontal when pulling it.

Using your appliance

3. Insert the new filter into the filter holder.



4. Push the filter, and then turn it clockwise until it locks. If you have trouble inserting the water filter because of high water pressure, shut off the water supply valve.

5. If you turned off the water supply, turn it back on.

Note

It is recommended to change the water filter every 6 months. After turning on the water supply, you should check the leaks. If leaks occur, repeat the steps 1– 5. If leaks persist, discontinue use and call Hisense customer service.

Removing any residual matter inside the water supply line after installing the water filter

1. After the water filter is replaced, dispense 2.5 gallons of water (flush for approximately 5 minutes) to remove trapped air and contaminants from the system.

2. Additional flushing may be required in some households.

3. Open the refrigerator door and make sure there are no water leaks coming from the water filter.

Note

- Sometimes, it is hard to disassemble the water filter because impurities in the water cause it to stick. If you are having difficulties, grip the water filter firmly and pull it out.

Note

- Be sure to flush the dispenser thoroughly, otherwise water may drip from the dispenser. This means that there is still air in the line.
- Do not dispense the entire 2.5 gallon amount continuously. Depress and release the dispenser pad for cycles of 30 seconds ON and 60 seconds OFF.

Using your appliance

Reverse osmosis water supply

The pressure of the water supply coming out of a reverse osmosis system going to the water inlet valve of the refrigerator needs to be between 30 and 100psi (207 and 700kPa). If a reverse osmosis water system is connected to your cold water supply, the water pressure to the reverse osmosis system needs to be a minimum of 40 to 60 psi (276 to 414 kPa). If the water pressure to the reverse osmosis system is less than 40 to 60 psi (276 to 414 kPa):

Check to see whether the sediment filter in the reverse osmosis system is blocked. Replace the filter if necessary.

Allow the storage tank on the reverse osmosis system to refill after heavy usage.

If your refrigerator has a water filter, it may further reduce the water pressure when used in conjunction with a reverse osmosis system. To resolve it, remove the water filter.

Using your fridge compartment

The refrigerator compartment is suitable for storage of vegetables and fruit. Food inside should be sealed for storage in order to avoid losing moisture or flavor permeating into other foods.



Caution

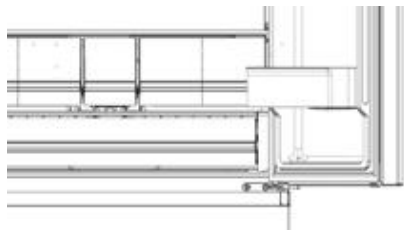
Never close the refrigerator door while the shelves, crisper and/or telescopic slides are extended. It may damage both them and the refrigerator.

Door baskets

The refrigerator compartment is provided with six door baskets, which are suitable for the storage of canned liquid, bottled drinks and packaged food.

To remove the door baskets, simply lift the racks up and pull straight out.

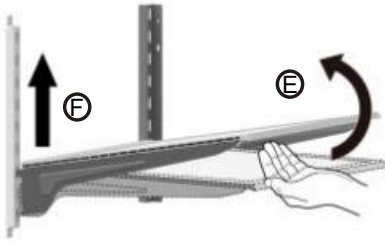
To relocate the door baskets, slide it in above the desired location and push down until it stops.



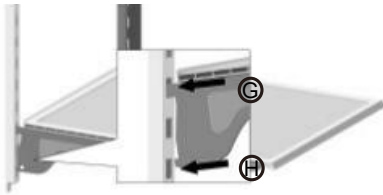
Glass shelves

To remove the glass shelves, tilt up the front of the shelf in the direction shown (E) and lift it up vertically (F). Pull the shelf out.

Using your appliance

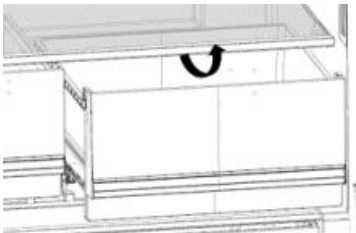


To re-install the glass shelves, tilt the front of the shelf up and guide the shelf hooks into the slots at a desired height (G). Then lower the front of the shelf so that the hooks can drop into the slots (H)



Vegetable and fruit crispers

The crispers are suitable for storage of vegetables and fruit. To take them out, open the door to the final location first. Then pull out the drawer and tilt up the front of the crisper after moving slightly in the direction of the arrow.



Ice Maker in Freezer

If the water line is connected, set the ice maker power switch to the ON position.

- The ice maker will not begin to operate until it reaches its operating temperature of 15°F(-9°C) or below. It will then begin operation automatically if the ice maker power switch is at the ON position.
- Following installation, allow 24 hours to produce the first batch of ice. Discard the first three batches of ice produced. Allow 2 to 3 days to fill the ice storage container.
- If the ice in the ice container clumps, break up ice using a plastic utensil and discard. Do not use a sharp tool to break up the ice. This can cause damage to the ice container.
- Do not store any items other than ice in the ice storage container.



Motor Switch Feeler Arm Ice Storage Container



Caution

Do not allow children to touch the ice maker. This could cause injury.

Cleaning and care

For hygienic reasons the appliance (including exterior and interior accessories) should be cleaned at least every two months.

Warning

To avoid electrical shock, the appliance must not be connected to the main power supply during cleaning. Before cleaning, switch the appliance off and remove the plug from the main socket.

Exterior cleaning

To maintain good appearance of your appliance, you should clean it regularly.

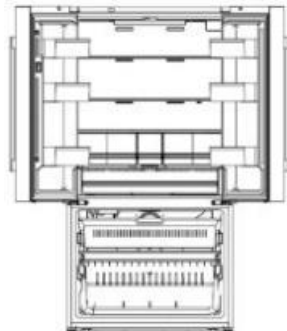
- Wipe the digital panel and display panel with a clean, soft cloth.
- Spray water onto a cleaning cloth instead of spraying directly on the surface of the appliance. This helps ensure an even distribution of moisture to the surface.
- Clean the doors, handles and cabinet surfaces with a mild detergent and then wipe dry with a soft cloth.

Caution

- Don't use sharp objects to clean with, as they are likely to scratch the surface.
- Don't use thinner, car cleaner, bleach, oil, abrasive cleansers or organic solvent such as benzene for cleaning. They may damage the surface of the appliance and may cause fire.

Interior cleaning

You should clean the appliance interior regularly. It will be easier to clean when food stocks are low. Wipe the inside of the fridge and freezer with a weak solution of baking soda and water, and then rinse with warm water using a wrung-out sponge or cloth. Wipe completely dry before replacing the shelves and baskets. Thoroughly dry all surfaces and removable parts before putting them back into place.



Cleaning and care

Although this appliance automatically defrosts, a layer of frost may occur on the freezer compartment's interior walls if the freezer door is opened frequently or kept open too long. If the frost is too thick, choose a time when the freezer is nearly empty and proceed as follows:

1. Remove existing food and accessories baskets, unplug the appliance from the mains power and leave the doors open. Ventilate the room thoroughly to accelerate the process.
2. When defrosting is completed, clean your freezer as described above.

Warning

- Do not use sharp objects to remove frost from the freezer compartment
- Only after the interior is completely dry should the appliance be switched back on and plugged back into the main socket.

Door seals cleaning

Take care to keep door seals clean. Sticky food and drinks can cause seals to stick to the cabinet and tear when you open the door. Wash seal with a mild detergent and warm water. Rinse and dry it thoroughly after cleaning.

Caution

Only after the door seals are completely dry should the appliance be powered on.

Warning

The LED light must be replaced by a competent person. If the LED light is damaged, follow the steps below:

1. Unplug your appliance.
2. Remove the light cover by lifting up and pulling out.
3. Hold the LED light with one hand and pull it while pressing the connector latch with the other hand.
4. Replace the LED light and snap it correctly in place and replace the light cover

Helpful hints and tips

Energy saving tips

- We recommend that you follow the tips to save energy.
- Try to avoid keeping the door open for long periods in order to conserve energy. Ensure the appliance is away from any sources of heat (direct sunlight, electric oven or cooker etc.)
 - Don't set the temperature colder than necessary.
 - Don't store warm food or evaporating liquid in the appliance.
 - Place the appliance in a well ventilated, humidity free room.
 - If the diagram shows the correct combination for the drawers, crisper and shelves, do not adjust the combination as this is designed to be the most energy efficient configuration.

Hints for fresh food refrigeration

- Do not place hot food directly into the refrigerator or freezer, the internal temperature will increase resulting in the compressor having to work harder and consume more energy.
- Do cover or wrap the food, particularly if it has a strong flavor.
- Place food properly so that air can circulate freely around it.

Hints for refrigeration

- For Meat: (all types) wrap in cling wrap and place on the glass shelf above the vegetable drawer. Always follow food storage times and use by dates suggested by manufacturers.
- Cooked food, cold dishes, etc.: They should be covered and placed on any shelf.
- Fruit and vegetables: They should be stored in the special drawer provided.
- Butter and cheese: Should be wrapped in airtight foil or plastic film wrap.
- Milk bottles: Should have a lid and be stored in the door racks.

Hints for freezing

- When first starting-up or after a period out of use, let the appliance run at least 2 hours on the higher settings before putting food in the compartment.
- Prepare food in small portions to enable it to be rapidly and completely frozen and to make it possible to subsequently thaw only the quantity required.
- Wrap up the food in aluminum foil or cling wraps which are airtight.

Helpful hints and tips

- Do not allow unfrozen food to touch the food which is already frozen to avoid temperature rise of the latter.
- Iced products (ice cubes, popsicles): if consumed immediately after removal from the freezer compartment, will probably cause frost burns to the skin.
- It is recommended to label and date each frozen package in order to keep track of the storage time.

Hints for the storage of frozen food refrigeration

- Ensure that frozen food has been stored correctly by the food retailer

- Once defrosted, food will deteriorate rapidly and should not be re-frozen.
- Do not exceed the storage period indicated by the food manufacturer.

Switching off your appliance

If the appliance needs to be switched off for an extended period, the following steps should be taken to prevent mould on the appliance.

1. Remove all food.
2. Remove the power plug from the mains socket.
3. Clean and dry the interior thoroughly.
4. Ensure that all the doors are wedged open slightly to allow air to circulate.

Troubleshooting

If you experience a problem with your appliance or are concerned that the appliance is not functioning correctly, you can carry out some easy checks before calling for service, please see below. You can carry out some easy checks according to this section before calling for service.



Warning

1. Don't try to repair the appliance yourself. If the problem persists after you have made the checks mentioned below, contact a qualified electrician, authorized service technician or the shop where you purchased the product.
2. A child entrapment warning statement is included below.

Troubleshooting



Danger

Risk of child entrapment. Before you throw away your old refrigerator or freezer:

- Take off the doors.
- Leave the shelves in place so that children may not easily climb inside.

Problem	Possible Cause & Solution
Appliance is not working correctly	Check whether the power cord is plugged into the power outlet properly.
	Check the fuse or circuit of your power supply, replace if necessary.
	The room temperature may be too low. Try setting the refrigerator or freezer temperature to a colder level to solve this problem
	It is normal that is normal that the freezer is not operating during the defrost cycle, or for a short time after the appliance is switched on to protect the compressor.
Odours from the compartments	The interior may need to be cleaned.
	Some food, containers or wrapping cause odours.
Noise from the appliance	<p>The sounds below are quite normal:</p> <ul style="list-style-type: none"> • Compressor running noises. • Air movement noise from the small fan motor in the freezer compartment or other compartments. • Gurgling sound similar to water boiling. • Popping noise during automatic defrosting. • Clicking noise before the compressor starts. • Clicking noise when you get the water. • The motor running noises when you get ice.

Troubleshooting

Problem	Possible Cause & Solution
Noise from the appliance	<p>Other unusual noises are due to the reasons below and may need you to check and take action:</p> <ul style="list-style-type: none"> • The cabinet is not level. • The back of appliance touches the wall. • Bottles or containers have fallen or are rolling.
The motor runs continuously	<p>It is normal to frequently hear the sound of the motor, it will need to run more when in following circumstances:</p> <ul style="list-style-type: none"> • Temperature setting is set colder than necessary. • Large quantity of warm food has recently been stored within the appliance. • The temperature outside the appliance is too high. • Doors are kept open too long or too often. • After your installing the appliance or it has been switched off for a long time.
A layer of frost occurs in the compartment	<p>Check that the air outlets are not blocked by food and ensure food is placed within the appliance to allow sufficient ventilation. Ensure the door can be fully closed . To remove the frost, please refer to the cleaning and care chapter.</p>
Temperature inside is too warm	<p>You may have left the doors open too long or too frequently;</p> <ul style="list-style-type: none"> • Or the doors are kept open by some obstacle; • Or the appliance is located with insufficient clearance at the sides, back and top.
Temperature inside is too cold	<p>Increase the temperature by following the "Display controls" chapter.</p>
Doors can't be closed easily	<p>Check whether the top of the refrigerator is tilted back by 0.1"-0.2" (2.5-5mm)to allow the doors to self-close, or if something inside is preventing the doors from closing.</p>

Troubleshooting

Problem	Possible cause & Solution
The light is not working	<ul style="list-style-type: none"> • The LED light may be damaged. Refer to replace LED lights in cleaning and care chapter. • The control system has disabled the lights due to the door being kept open too long, close and reopen the door to reactivate the lights.
Hear water bubbling in the refrigerator	<ul style="list-style-type: none"> • This is normal. The bubbling comes from the refrigerant coolant liquid circulating through the refrigerator.
Water dispenser is not functioning	<ul style="list-style-type: none"> • Is the water storage box installed accurately? Make sure there is enough water in the water storage box. • Is water line broke or bent? Make sure the water line is unblocked and clear of any obstruction. • Is the water storage box frozen for the refrigerator temperature is too low? Try selecting a warmer setting on the display panel. • Is the water pump working?
Ice is not making	<ul style="list-style-type: none"> • Did you wait for 24 hours after installation of the water supply line before making ice? If it is not sufficiently cool, it may take longer to make ice, such as when first installed. • Is the water line connected and the water valve open? Did you manually stop the ice making function? • Is there any ice blocked within the ice maker bucket? • Is the water pressure less than 30psi? Install a booster pump to compensate for the low pressure. • Is the freezer temperature too warm? Try setting the freezer temperature lower. • Ice maker is not making the ice fast enough. Please wait for at least 90 minutes. • Remove the bucket and check if the ice clumps or sticks to the wall, break up ice using a plastic utensil and discard.

Disposal of the appliance

It is prohibited to dispose of this appliance as household waste.

Packaging materials

Packaging materials with the recycle symbol are recyclable. Dispose of the packaging into a suitable waste collection container to recycle it.


Before disposal of the appliance

1. Pull out the mains plug from the mains socket.
2. Cut off the power cord and discard with the mains plug



Warning

Refrigerators contain refrigerant and gases in the insulation. Refrigerant and gases must be disposed of professionally as they may cause eye injuries or ignition. Ensure that tubing of the refrigerant circuit is not damaged prior to proper disposal.

Correct Disposal of this product	
	<p>This marking indicates that this product should not be disposed of with other household wastes throughout the EU. To prevent possible harm to the environment or human health from uncontrolled waste disposal, recycle it responsibly to promote the sustainable reuse of material resources. To return your used device, please use the return and collection systems or contact the retailer where the product was purchased. They can take this product for environmental safe recycling.</p>